



TAMRALIPTA MAHAVIDYALAYA

[Estd.-1948]

NAAC Accredited 'A' Grade College

Phone & Fax : 03228-266054, Office : 270368

B.Ed. Dept. : 03228-266888, N.S.O.U. : 03228-269424, R.B.U. : 03228-266245

Tamluk • Dist.: Purba Medinipur • Pin : 721636 • West Bengal

Ref. No.

NOTICE INVITING QUOTATIONS

Date.....

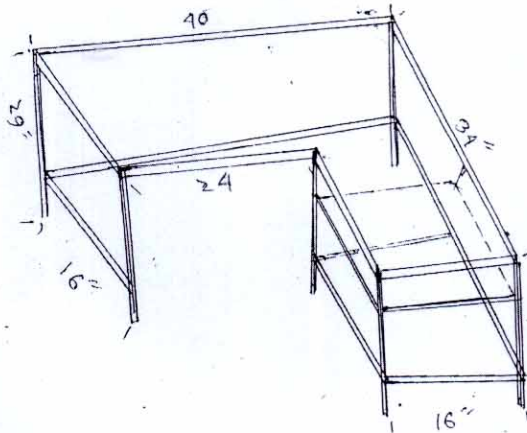
Tamralipta Mahavidyalaya is inviting quotations from the registered suppliers/manufacturers for supplying of L-Type stainless steel structure with quality solid wooden/plywood top table as per the following specification within 22nd June'2017 (3 p.m.).

Submission of Sealed Quotation to the office: From 17.06.17 to 22.06.17 between 12:00noon to 3:00 p.m. in the office of Tamralipta Mahavidyalaya (except Sunday & Holiday).

Date of opening of the Sealed Quotations: 23.06.2017 at 12 noon.

No. of quantity – 15 pieces.

1. Wooden/Plywood Top measurement – front side 18" x 42", right side 18" x 18"
2. Steel Structure – as per weight measurement.
 - a) Stainless Steel (304 Grade) Leg structure of 40 (standard thickness) Round Hollow.
 - b) 50 x25 (Standard Thickness) Hollow square Stainless Steel (304 Grade) for structure.
 - c) Leg Anchoring Board – 5 pieces per table.



S. K. Bera
16.06.17
Dr. S. K. Bera
Teacher-in-Charge
Teacher-in-charge
Tamralipta Mahavidyalaya
Tamluk, Purba Medinipur